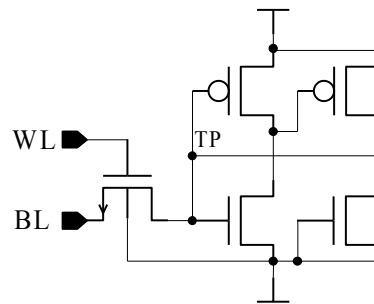


# Architecture of Static Random Access Memory cell (5T SRAM cell, 4T SRAM cell, 3T SRAM cell, 2T SRAM cell)

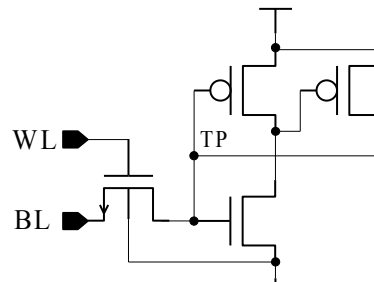
**Official Name:** Single Rail and Robust nT SRAM cell (SRR nT SRAM cell)

**Developer:** 湯朝景(Kurjoy Tang) @Taiwan, ROC.

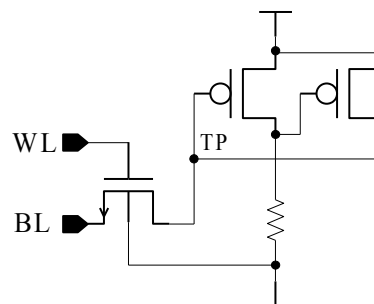
**Publish Date:** May 3, 2012



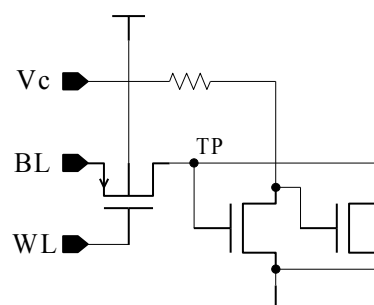
**5T SRAM cell**



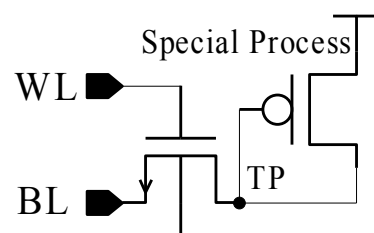
**4T SRAM cell**



**3T SRAM cell (3T1R SRAM cell)**



**3TP SRAM cell (3T-P type SRAM cell)**



**2T SRAM cell**